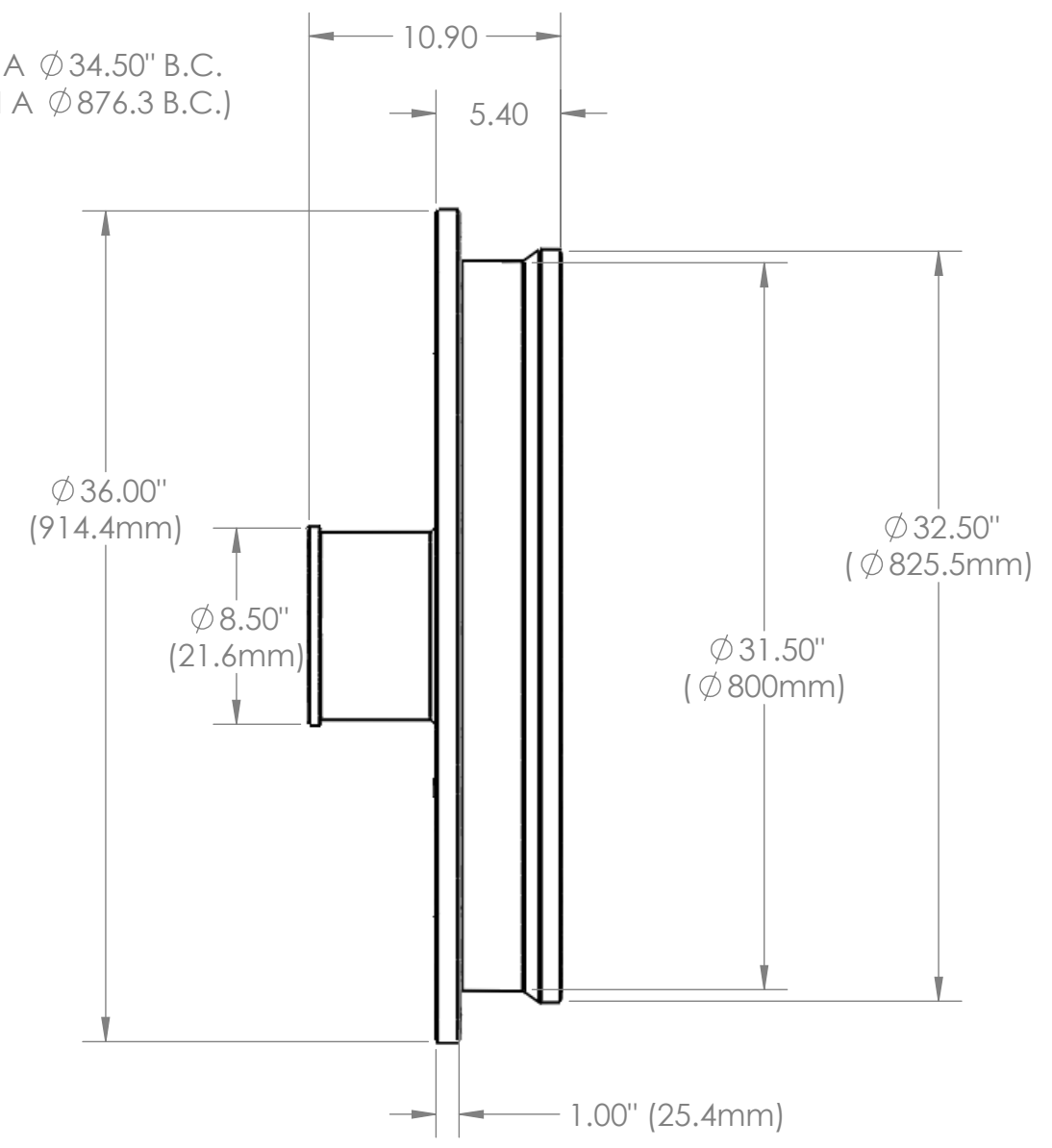
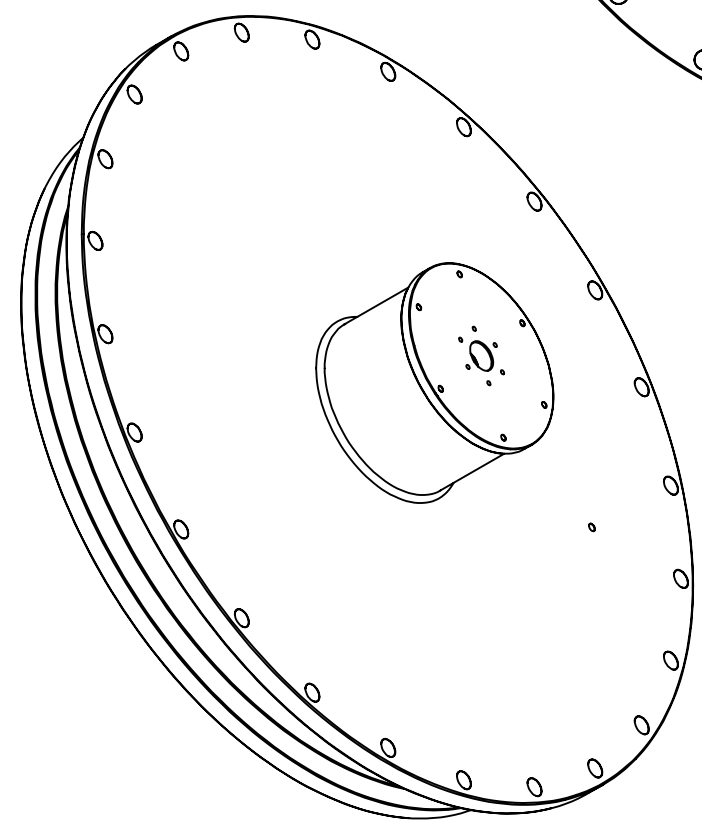
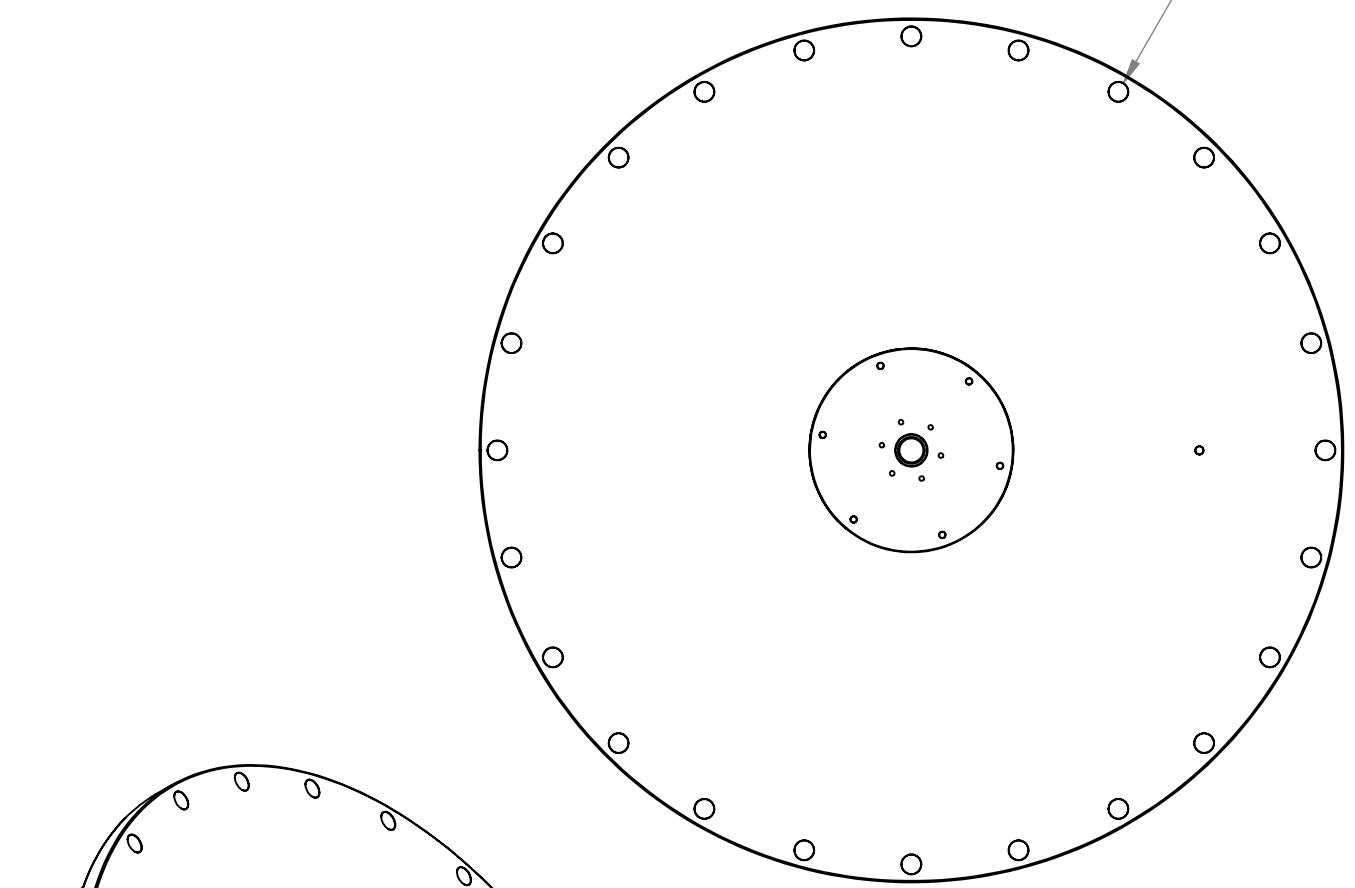


8 7 6 5 4 3 2 1

D
C
B
A

D
C
B
A

24X ϕ .81" THRU ON A ϕ 34.50" B.C.
(24X ϕ 20.6 THRU ON A ϕ 876.3 B.C.)



PROPRIETARY AND CONFIDENTIAL
THE INFORMATION CONTAINED IN THIS DRAWING IS THE SOLE PROPERTY OF <INSERT COMPANY NAME HERE>. ANY REPRODUCTION IN PART OR AS A WHOLE WITHOUT THE WRITTEN PERMISSION OF <INSERT COMPANY NAME HERE> IS PROHIBITED.

		UNLESS OTHERWISE SPECIFIED:		NAME	DATE	ROWE TECHNOLOGIES INC. POWAY CA 92009	
		DIMENSIONS ARE IN INCHES TOLERANCES: FRACTIONAL \pm ANGULAR: MACH \pm BEND \pm TWO PLACE DECIMAL \pm THREE PLACE DECIMAL \pm		DRAWN		TITLE: OUTLINE INSTALLATION, XDCR 38khz 36 X 36 PHASED ARRAY	
		INTERPRET GEOMETRIC TOLERANCING PER:		CHECKED		SIZE DWG. NO. XA	
		MATERIAL		ENG APPR.		SCALE: 1:8 WEIGHT: SHEET 1 OF 1	
		FINISH		MFG APPR.			
NEXT ASSY	USED ON	DO NOT SCALE DRAWING		Q.A.			
APPLICATION				COMMENTS:			